

MONTERINGSANVISNING

ASSEMBLY INSTRUCTIONS

MALANG MATBORD

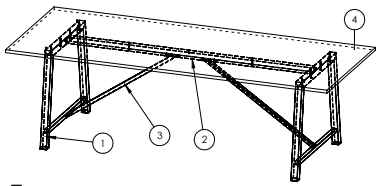
Art. nr 18006-680



Assembly instructions | Monteringsanvisning



ASSEMBLING INSTRUCTION

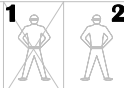


Type : **MALANG DINING TABLE**
Art.No : **19006-680**

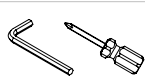
TIME



LABOUR



TOOLS



MALANG DINING TABLE

No.	Description	Qty
1	88888-153 SP MALANG DINING TABLE - LEGS	2
2	FRAME PALANGAN ASSY	1
3	FRAME SUPPORT ASSY	2
4	TOP TABLE	1

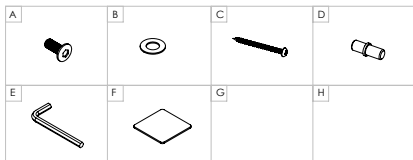
MALANG DINING TABLE

No.	Description	Qty
A	JCBIC M6 x 15 mm	12
B	WASHER 6	10
C	SCREW Ø10 x 2 1/2" PAB	10
D	PEN DUPLO Ø5	5
E	M4 ALLEN KEY	1

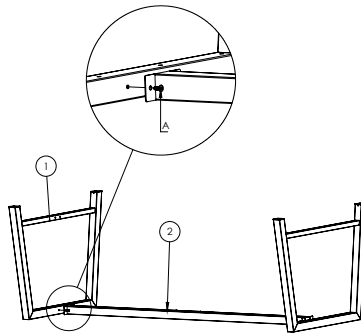
MALANG DINING TABLE

No.	Description	Qty
F	88888-152 SP PLASTIC FEET	4
F	EVA FOOT COVER	4

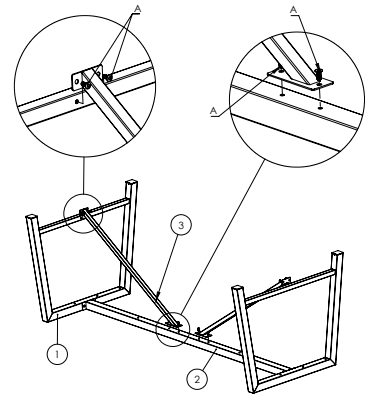
ILLUSTRATION



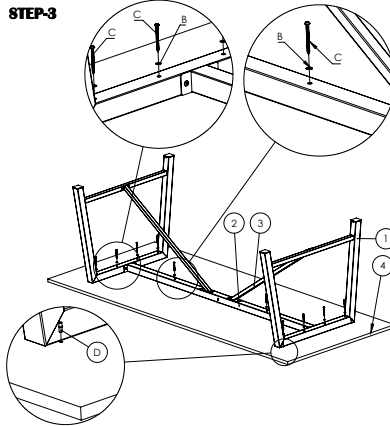
STEP-1



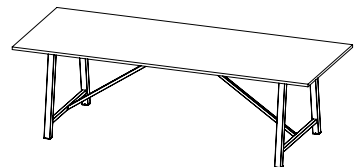
STEP-2



STEP-3



STEP-4



FULL ASSEMBLY

SHEET 1 OF 1

2020

VENTURE DESIGN
HOME & INTERIOR